



## Benefits in brief:

### Excellent quality made in Europe

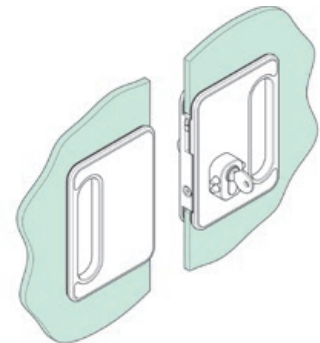
Willach's sliding door lock impresses with its patent-pending design and the utmost in quality. All of the main materials used are sourced in Europe and assembled at the company's German headquarters.



### Wide range of applications

The lock is suitable for use with **Portavant** sliding doors as well as with **Atrivant** terrace glazing:

- For one-sided Portavant systems using door stop profiles with a **striking plate**
- For one-sided Atrivant systems using a **wall profile** and striking plate
- For two-sided Portavant and Atrivant systems with a matching **strike box**



### Large selection of colours thanks to a choice of coloured cover plates

Coloured cover plates ensure the lock matches the look of your Portavant or Atrivant systems. The basic housing is always finished in anodised aluminium.



EV1  
Natural aluminium effect



C31  
Stainless steel effect



C35  
Anodised black



RAL 7016  
Anthracite grey, fine texture matt



RAL 9016  
Traffic white, fine texture matt

## Choice between closed or open finger pull handle

The sliding door lock can be fitted either with or without the enclosed finger pull insert.



Lock with open finger pull for easier use



Lock with closed finger pull to ensure privacy, for example on WC/bathroom doors

## Interchangeable lock cylinder

The use of interchangeable lock cylinders allows the lock to be integrated easily into your existing locking system and also supports solutions such as thumb-turn lock cylinders for bathroom doors. The lock can even be combined with electronic lock cylinders provided that the chosen solution complies with the permitted standard cylinder dimensions.



## Bump stop for Atrivant systems with protruding lock cylinder

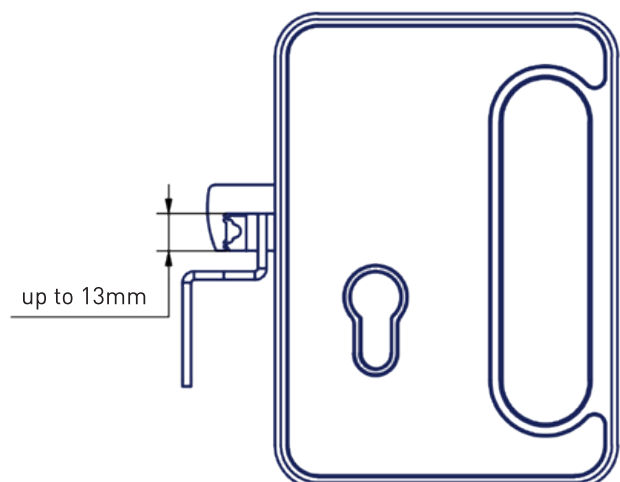
A lock cylinder attachment with two bump stops on each side is provided for use with Atrivant systems that have a protruding lock cylinder to prevent damage to adjacent sliding sashes.



## High degree of burglary protection

Intelligent design principles ensure a high level of burglary protection. When locked shut, the locking hook cannot be forced upwards from the outside. It is also securely fixed in position when the lock is open and therefore cannot slip down unintentionally by shaking or sliding the installation.

The impressive range of elevating motion of the locking hook means that it can cope with a height overlap of up to 13 mm between the hook and striking plate.

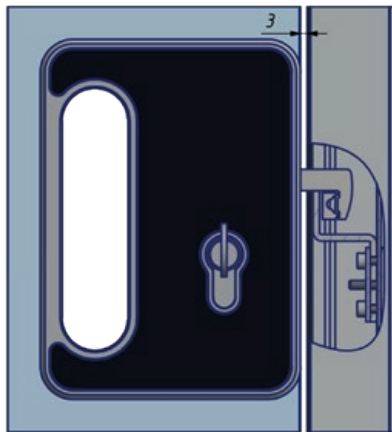
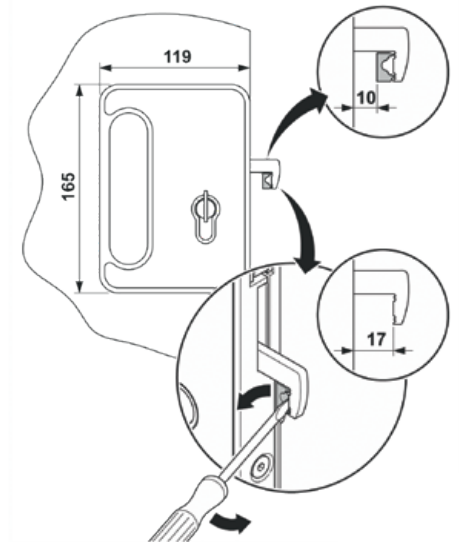


## Adjustable locking hook

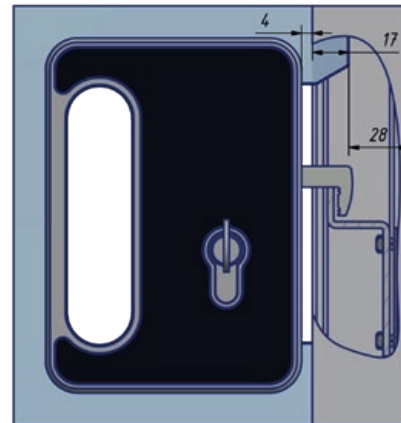
Clever engineering allows the locking hook to be adjusted laterally to accommodate two different spacings between the hook edge and the glass edge. The locking hook comes fitted with a spacer element that must be left in place or removed according to the installation. As a result, the lock can be used on different types of installation.

For Portavant doors, the spacer element must be left in place (10 mm distance between the locking hook and the glass edge).

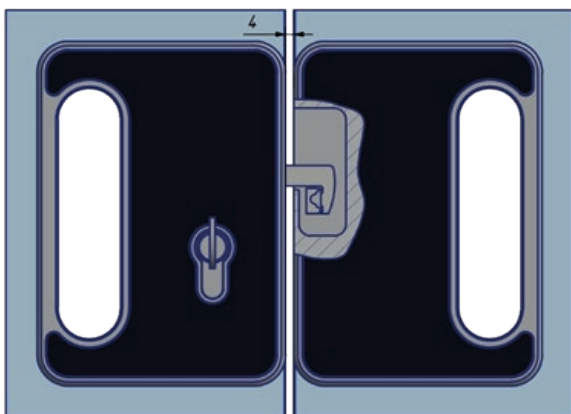
When installing the lock with Atrivant systems, the spacer element has to be removed (17 mm distance).



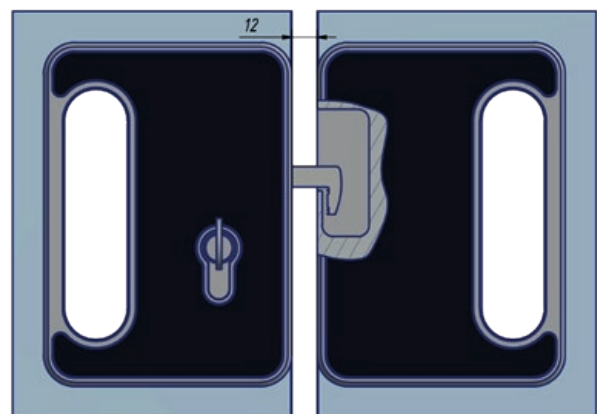
**One-sided Portavant system with door stop profiles and striking plate:**  
the locking hook spacer element is left in place



**One-sided Atrivant system with wall profile and striking plate:**  
the locking hook spacer element is removed



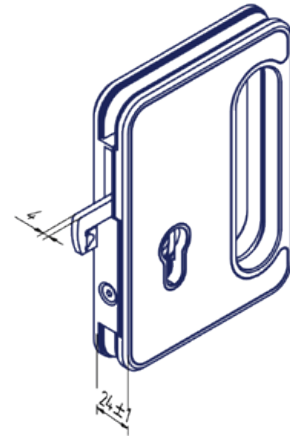
**Two-sided Portavant system with matching strike box:**  
the locking hook spacer element is left in place



**Two-sided Atrivant system with matching strike box:**  
the locking hook spacer element is removed

## Symmetrical assembly for all thicknesses of glass with symmetrically protruding locking hook

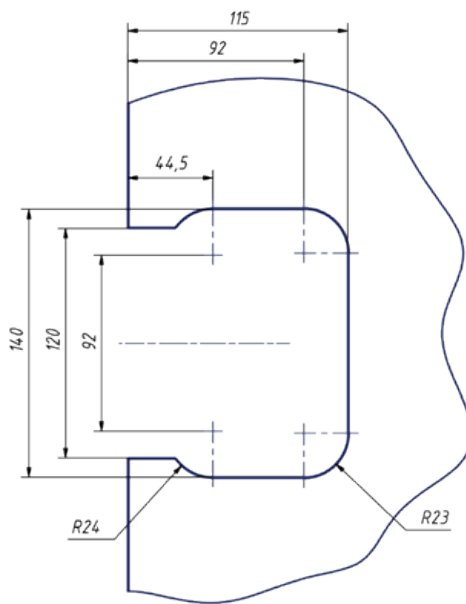
The lock is suitable for use on glass sashes of the following thicknesses: 8 / 8.76 / 10 / 10.76 / 12 / 12.76 mm. A range of interchangeable shims is provided to adapt to different glass thicknesses. The lock is always fitted to the sash symmetrically and the locking hook swings out symmetrically to the centre line of the sash edge. The sturdy locking hook made of stainless steel is only 4 mm thick and therefore fits many different installation situations.



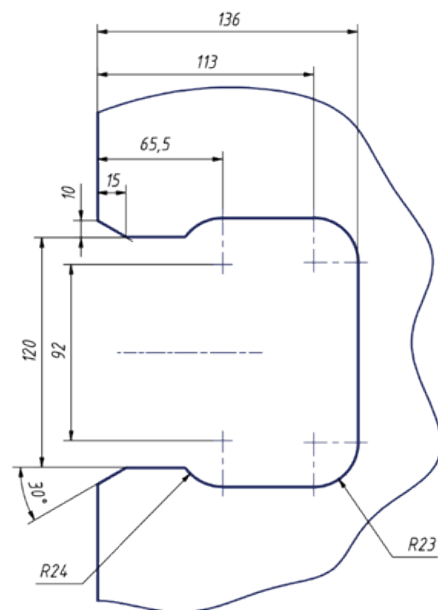
## Intelligent glass cut-out design and excellent clamping prevent forced removal

The intelligent shape of the glass cut-out and excellent clamping prevent the lock from being pulled out laterally from the glass.

In conjunction with an Atrivant wall profile, the lock is set back from the leading edge of the glass to allow the sash to slide further into the wall profile, thus reducing draughts. The shape of the glass cut-out therefore differs for this application.



Glass cut-out for Portavant systems and for Atrivant systems with matching strike box



Glass cut-out for Atrivant systems with wall profile

