

Moving Details.

Extract Technical brochure MUTO Comfort M 60 2.0

Edition 2024

dg DORMA
GLAS®

The pictograms in this brochure are only intended to facilitate orientation.They are not true to scale and do not represent the exact design of the products!
We reserve the right to make technical changes.

Design your rooms the way you want them

Whether for living or office areas, wherever elegant transitions from one room to another need to be provided, toughened glass assemblies offer the architectural elegance of open, transparent, inviting access.

Sliding doors also add a certain lightness and a more generous appearance to small rooms. Easy-to-install solutions mean that your space-defining idea in glass can be readily made reality.

| Applications and features | MUTO Comfort M 60 2.0 |
|---|-------------------------|
| Suspended sliding door | ● |
| Integrated / concealed carrier | ● |
| 1 panelled sliding door | ● |
| 2 panelled bi-parting sliding door | ● |
| Integrated locking device | |
| Status indicator | |
| Suspended ceilings | |
| Self-Closing | |
| Synchro version | |
| Telescopic function (panel moves in sync) | |
| End-position engage cushioning | ● |
| Installation at wall | ● |
| Installation at wall; version with large glass-to-wall clearance for bridging existing frames + direct track fixing to wall, frame lining profile | ● |
| Installation at ceiling | ● |
| Fixed at glass | |
| Mounting in ceiling slot | |
| Mounting in wall pocket | |
| Safe use of laminated safety glass elements | ● |
| System integration of fixed side panels | ● |
| Timber sliding door possible | ● |
| Panel attachment with no glass preparation ¹⁾ | ● |
| Max. sliding panel weight | 60 kg |
| Min. sliding panel width | 600 ^{2) 4)} |
| Max. sliding panel width | 1300 |
| Max. sliding panel height | 2500 |
| Glass thicknesses sliding panel | 8 – 12 |
| Glass type | TSG / LSG ³⁾ |
| Wood thickness sliding panel | 28 – 50 |
| Glass thicknesses integrated sidelights | 8 – 13.5 |
| Page | 14 |

1) Glass machining only necessary for individual thumbturn or other handle types.

2) To ensure optimal operation, we recommend an aspect ratio of 1:2 or 1:3

3) LSG (consisting of 2 x TSG) with accessory set LSG

4) After consultation: With DORMOTION from 450 mm, without DORMOTION from 400 mm possible

General information

MUTO

The systems are based on a thoroughly modular construction principle, enabling them to be adapted to different requirements.

Weight classes

- 60 kg
- 80 kg
- 150 kg
- Self-Closing, max. 120 kg
- Telescopic, max. 2 x 80 kg

Activity rate, longevity

- ≥ 50,000 cycles at 60 kg variant
- ≥ 100,000 cycles at 80 kg variant
- ≥ 200,000 cycles at 80/150 kg variant

DORMOTION – the elegant damping mechanism



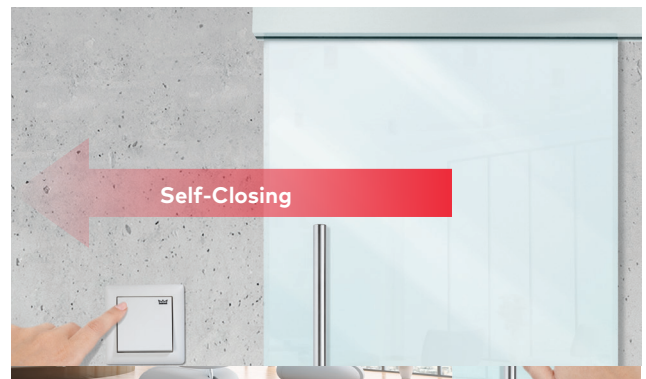
Integrated electromechanical lock – discretion assured



Status indicator – everything under control



Self-Closing – hassle-free



Large openings with small footprint

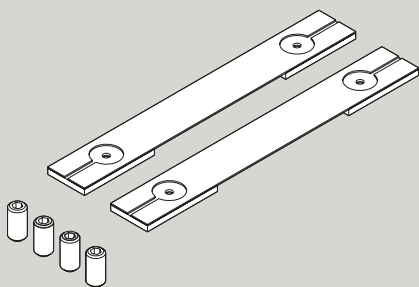
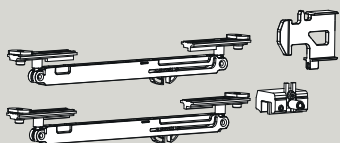
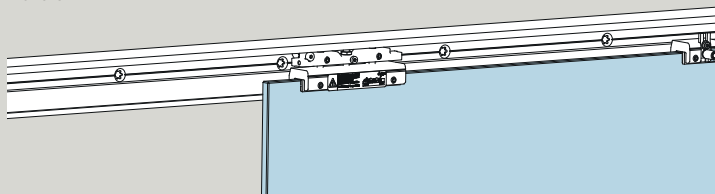


Wall pocket and / or ceiling slot solution



Retrofittable and safe

Version M



Product description

DORMOTION Comfort M, L, Premium XL (damping mechanism)

- Retrofittable in existing systems (without the need for disassembly)

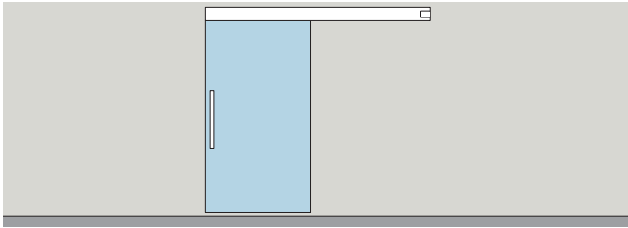
When using a DORMOTION damping unit, we recommend installation of a pull handle.

Secure hold for laminated safety glass without any mechanical glass preparation thanks to Clamp&Glue technology

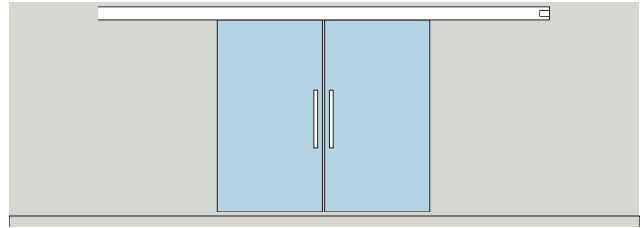
- Easy retrofitting of the carriers with LSG accessory set
- No unwanted LSG phenomena:
 - No bubble formation
 - No laminate slippage
 - No glass fracture as a result of excessive clamping forces
 - No negative influence of temperature change (foil disappears)
- Applies to the following systems:
 - MUTO Comfort M
 - MUTO Comfort L
 - MUTO Premium XL
 - MUTO Premium XL Telescopic
 - MUTO Premium Self-Closing

Installations

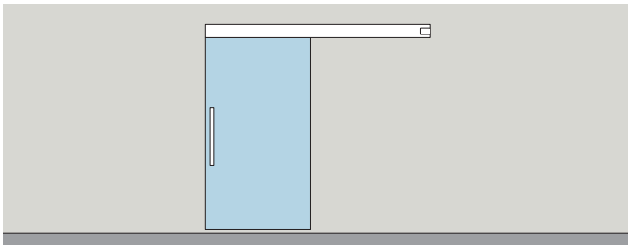
With one sliding panel



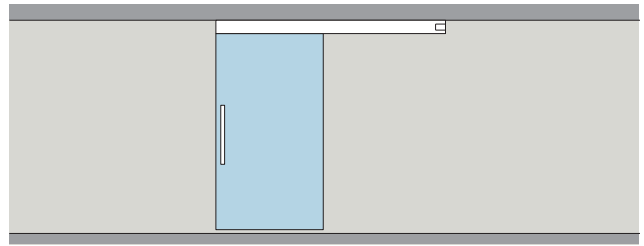
With two sliding panels



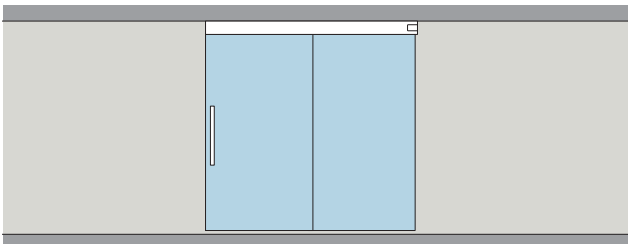
Fixed at wall



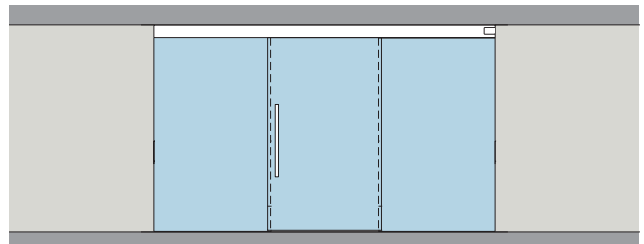
Fixed at ceiling



Fixed at transom with sidelight



Fixed at transom with sidelight



DIN requirements and test reports

The MUTO fittings are tested by the Prüfinstitut Schlösser und Beschläge (PIV) by the building authority recognised and accredited according to DIN ISO 17025. It is confirmed that the MUTO fittings comply with the corresponding DIN requirements and have thus been classified. We would be pleased to provide you with the test reports of the respective MUTO systems via our sales department as PDF documents.

PIV Prüfinstitut Schlösser und Beschläge Velbert
 Wallstraße 41 D-42551 Velbert
 Fon +49(0)2051/9506-5 Fax +49(0)2051/9506-69
 info@piv-velbert.de www.piv-velbert.de

PRÜFZEUGNIS

DIN EN 1527:2020-04

TEST CERTIFICATE

Nr./ No. 62-2/20

Der Firma
 We confirm, that the company

DORMA-Glas GmbH
 Max-Planck-Straße 33
 D-32107 Bad Salzfüle

wird bescheinigt, dass sie am
 at the date of

23. September 2020

PIV Prüfinstitut Schlösser und Beschläge Velbert
 Wallstraße 41 D-42551 Velbert
 Fon +49(0)2051/9506-5 Fax +49(0)2051/9506-69
 info@piv-velbert.de www.piv-velbert.de

PRÜFZEUGNIS

DIN EN 1527:2020-04

TEST CERTIFICATE

Nr./ No. 62-1/20

Der Firma
 We confirm, that the company

DORMA-Glas GmbH
 Max-Planck-Straße 33-45
 D-32107 Bad Salzfülen

wird bescheinigt, dass sie am
 at the date of

23. September 2020

die Anforderungen der DIN EN 1527 has met the requirements of DIN EN 1527

für das Produkt for the product MUTO Comfort L 80 DORMOTION

in der Ausführung in the version Schiebebeschlag/ Sliding hardware

entsprechend dem folgenden Klassifikationsschlüssel erfüllt hat: that complies with the following classification key

| Tür-/ Tor- kategorie Door-/ gate category | Tür-/ Tor- masse Door-/ gate mass | Größe der verwendeten Prüflügel Size of the test sashes used | Korrosions- beständigkeit Corrosion resistance | Beständigkeit gegen Zuschlagen Resistance to slashing | Beständigkeit bei horizon- taler statischer Beanspruchungs- prüfung Resistance to horizontal static load test | Beständigkeit bei statischer Beanspruchungs- prüfung Resistance to static stress test | Zulässiger Höchstwert der Anfangs- reibung- Permissible maximum value of initial friction | Dauer- funktions- fähigkeit Durability test |
|--|--|--|---|---|--|--|--|---|
| 1 | 2 | 2 | 3 | 3 | 3 | 1 | 3 | 6 |

Diesem Prüfzeugnis liegt der Prüfbericht Nr. 62-1/20 des PIV als Beurteilungsgrundlage zugrunde. Die Gültigkeit des Prüfzeugnisses bleibt so lange erhalten, wie sich die Prüfgrundlage und / oder das geprüfte Produkt nicht ändern. Das Prüfzeugnis hat insgesamt 1 Seite. This certificate is based on the evaluation of test report no. 62-1/20 by PIV. The validity of the test certificate will persist as long as the testing-base and the products are not changed. This test certificate has a total of 1 page.

D-42551 Velbert, 30. September 2020

A. Horsthemke (B.Eng.)
 Institutsleiterin/ Director of Institute

S. Holz, Staatl. gepr. Techniker/
 State-certified technical engineer
 Prüfer/ Verifier

Dies ist eine Urkundenseite. Teilweise Veröffentlichung oder veränderte Wiedergabe ist untersagt. Missachtung bedeutet Urkundenfälschung. This is a document page. Partially publications or changes are forbidden. Disregard means document forgery.

Akkreditierte Prüfstelle nach DIN EN ISO/IEC 17025
 Akkreditierte Zertifizierungsstelle nach DIN EN ISO/IEC 17065
 Prüf-, Überwachungs- und Zertifizierungsstelle nach der EU-BauPVO
 Überwachungs- und Zertifizierungsstelle nach Landesbauordnung (LBO)
 RAL-Prüfstelle für Schlösser und Beschläge - DIN CERTICO anerkannte Prüfstelle

Deutsche
 Akkreditierungsstelle
 D-PL-11024-01-00

Institutleitung:
 Andrea Horsthemke (B.Eng.)
 Es gelten unsere
 Geschäftsbedingungen

PIV Prüfinstitut Schlösser und Beschläge Velbert
 Wallstraße 41 D-42551 Velbert
 Fon +49(0)2051/9506-5 Fax +49(0)2051/9506-69
 info@piv-velbert.de www.piv-velbert.de

PRÜFZEUGNIS

DIN EN 1527:2020-04

TEST CERTIFICATE

Nr./ No. 62-3/20

Der Firma
 We confirm, that the company

DORMA-Glas GmbH
 Max-Planck-Straße 33-45
 D-32107 Bad Salzfülen

wird bescheinigt, dass sie am
 at the date of

23. September 2020

PIV Prüfinstitut Schlösser und Beschläge Velbert
 Wallstraße 41 D-42551 Velbert
 Fon +49(0)2051/9506-5 Fax +49(0)2051/9506-69
 info@piv-velbert.de www.piv-velbert.de

PRÜFZEUGNIS

DIN EN 1527:2020-04

TEST CERTIFICATE

Nr./ No. 62-3/20

Der Firma
 We confirm, that the company

DORMA-Glas GmbH
 Max-Planck-Straße 33-45
 D-32107 Bad Salzfülen

wird bescheinigt, dass sie am
 at the date of

23. September 2020

er DIN EN 1527 EN 1527

MUTO Premium XL 80/150 DORMOTION

Schiebebeschlag/ Sliding hardware

genden Klassifikationsschlüssel erfüllt hat: classification key

| Größe der erwendeten Prüflügel Size of the test sashes used | Korrosions- beständigkeit Corrosion resistance | Beständigkeit gegen Zuschlagen Resistance to slashing | Beständigkeit bei horizon- taler statischer Beanspruchungs- prüfung Resistance to horizontal static load test | Beständigkeit bei statischer Beanspruchungs- prüfung Resistance to static stress test | Zulässiger Höchstwert der Anfangs- reibung- Permissible maximum value of initial friction | Dauer- funktions- fähigkeit Durability test |
|---|---|---|--|--|--|---|
| 4 | 3 | 3 | 3 | 1 | 3 | 6 |

er Prüfbericht Nr. 62-3/20 des PIV als Beurteilungsgrundlage zugrunde. gnisses bleibt so lange erhalten, wie sich die Prüfgrundlage und / oder das lern. samt 1 Seite. valuation of test report no. 62-3/20 by PIV. will persist as long as the testing-base and the products are not changed. 1 page.

September 2020

S. Holz, Staatl. gepr. Techniker/
 State-certified technical engineer
 Prüfer/ Verifier

S. Holz, Staatl. gepr. Techniker/
 State-certified technical engineer
 Prüfer/ Verifier

Veränderte Wiedergabe ist untersagt. Missachtung bedeutet Urkundenfälschung. or changes are forbidden. Disregard means document forgery.

ISO/IEC 17025
 DIN EN ISO/IEC 17065
 Prüf- und Zertifizierungsstelle nach der EU-BauPVO
 Prüfstelle nach Landesbauordnung (LBO)
 RAL-Prüfstelle für Schlösser und Beschläge - DIN CERTICO anerkannte Prüfstelle

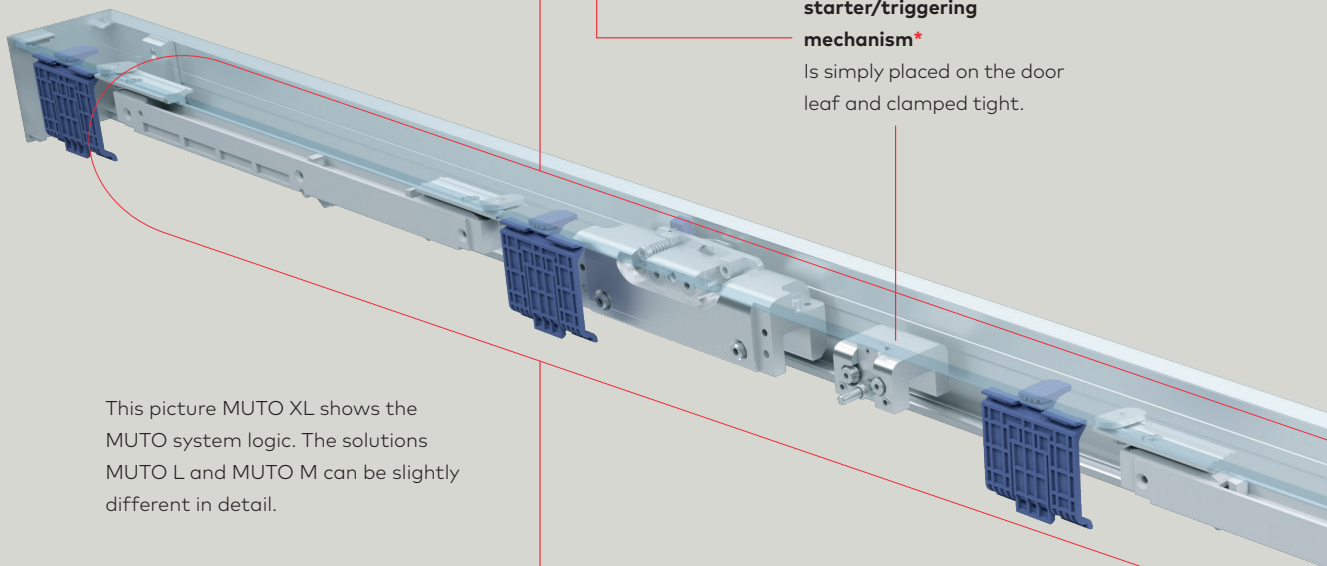
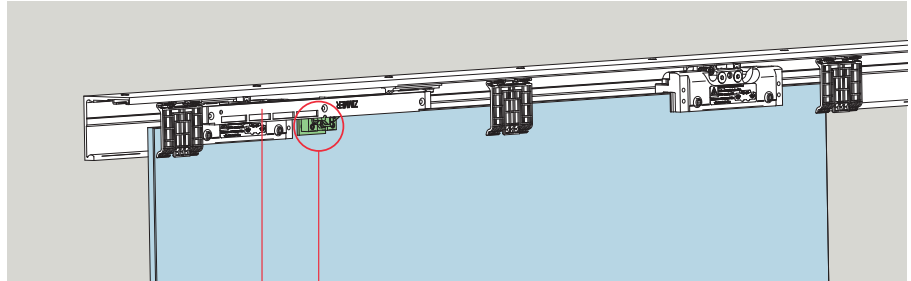
Deutsche
 Akkreditierungsstelle
 D-PL-11024-01-00

Institutleitung:
 Andrea Horsthemke (B.Eng.)
 Es gelten unsere
 Geschäftsbedingungen

7

The sliding door system offering fast, effortless installation

MUTO – easy installation and adjustability from the front.



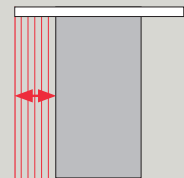
DORMOTION starter/trigering mechanism*

Is simply placed on the door leaf and clamped tight.

This picture MUTO XL shows the MUTO system logic. The solutions MUTO L and MUTO M can be slightly different in detail.

DORMOTION*

Is inserted into a separate channel in the track and fixed by means of a fixing screw. The damping unit is retrofittable and can also be installed on existing panels in situ. When using a DORMOTION damping unit, we recommend installation of a pull handle.



LSG certified.

Transparent safety.

Laminated safety glass can be installed as part of the MUTO system.

The certification confirms its high-grade quality.

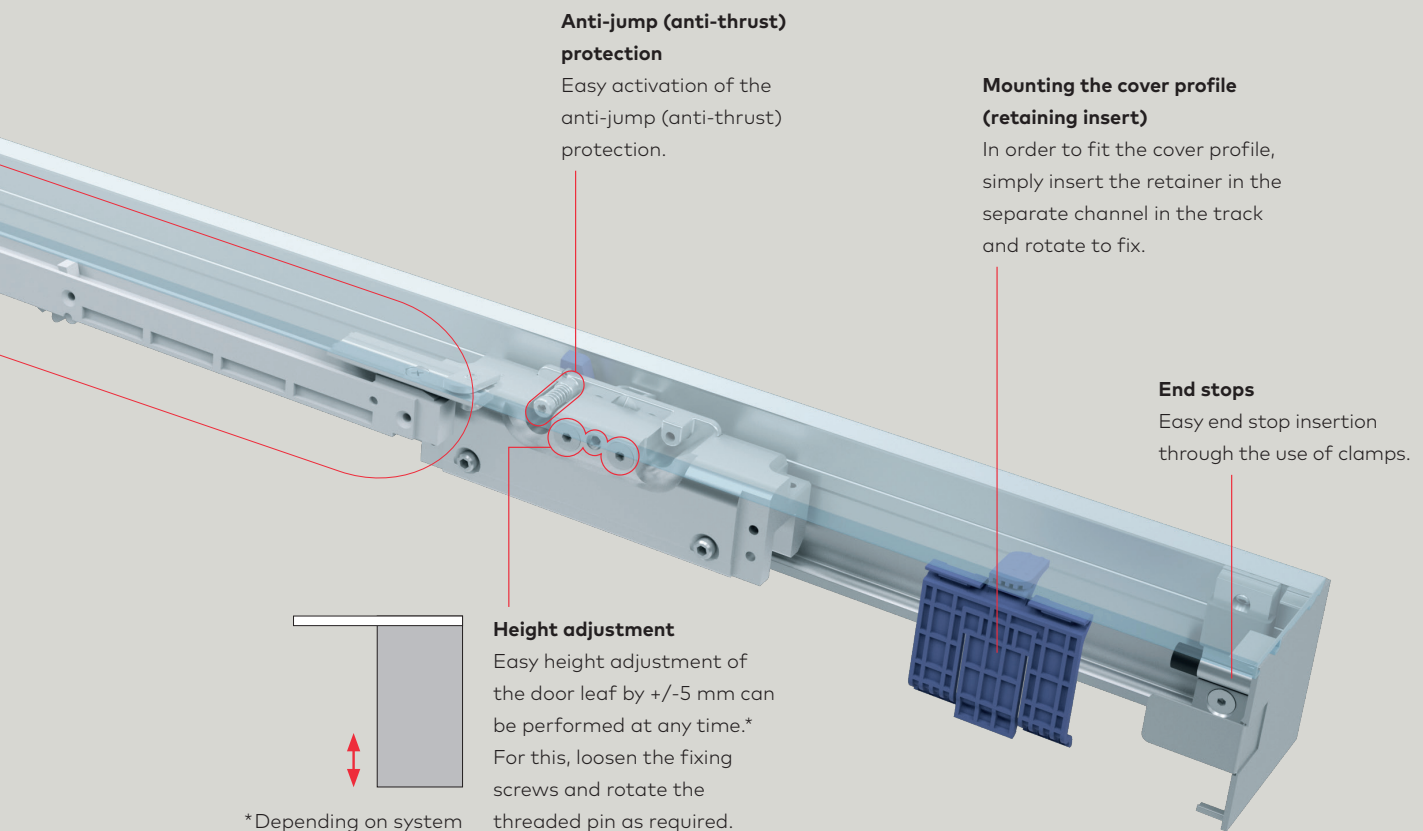


MUTO – Installation M, L, XL, SC, Telescopic

Benefits at a glance

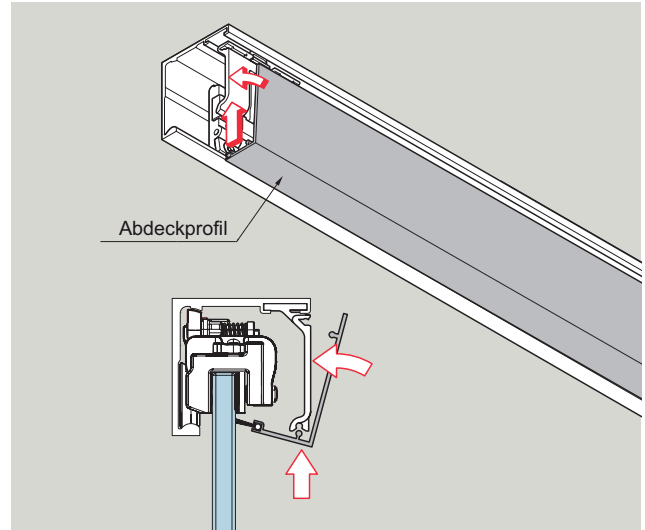
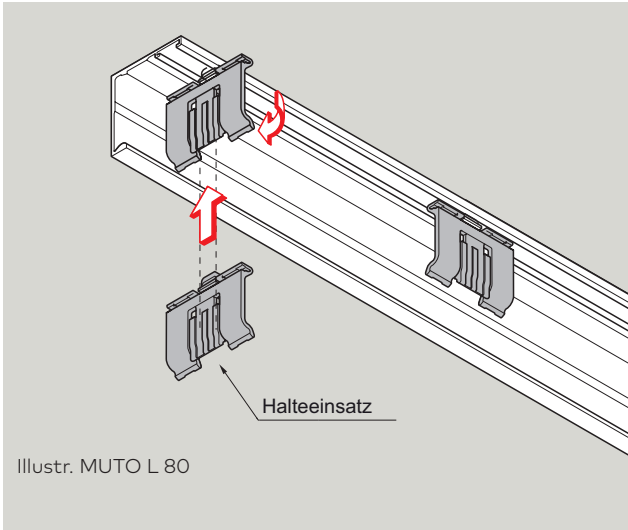
- All adjustments can be quickly and easily performed from the front
- Certified use of laminated safety glass
- Suitable for glass and timber panels

***Note:** The highlighted area on the left does not yet correspond to the current development status. The design and position of the DORMOTION unit have been changed - for even easier installation and adjustment! Please refer to the illustration above or feel free to contact us.

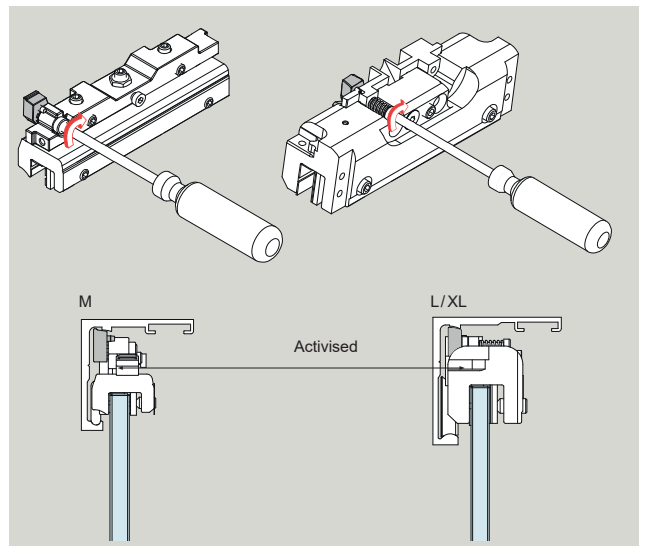
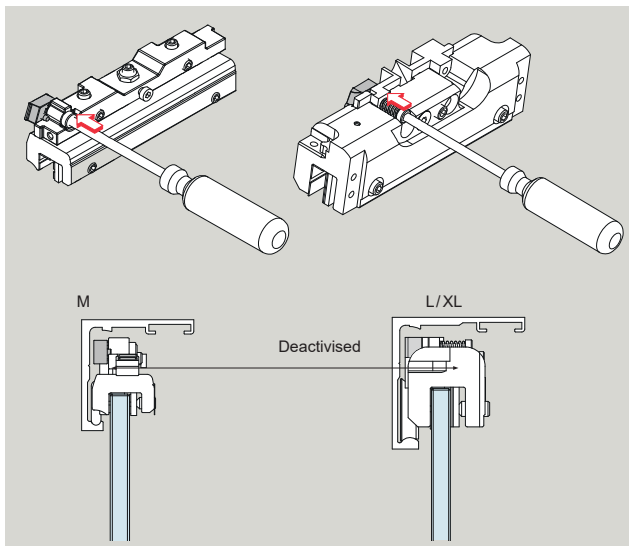


Advantages at installation

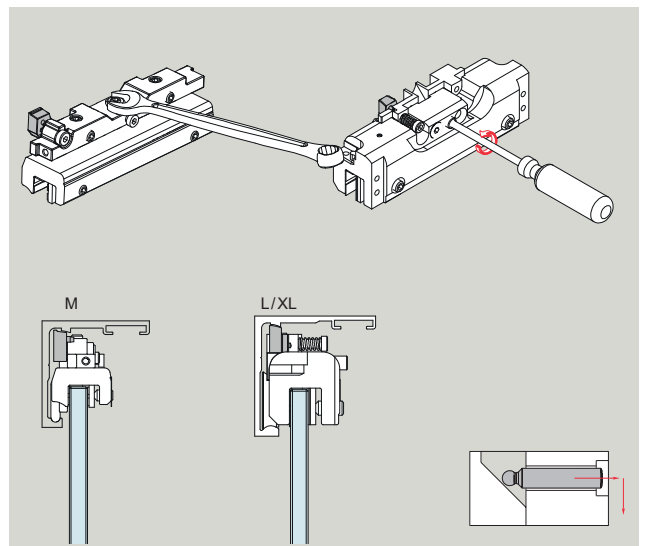
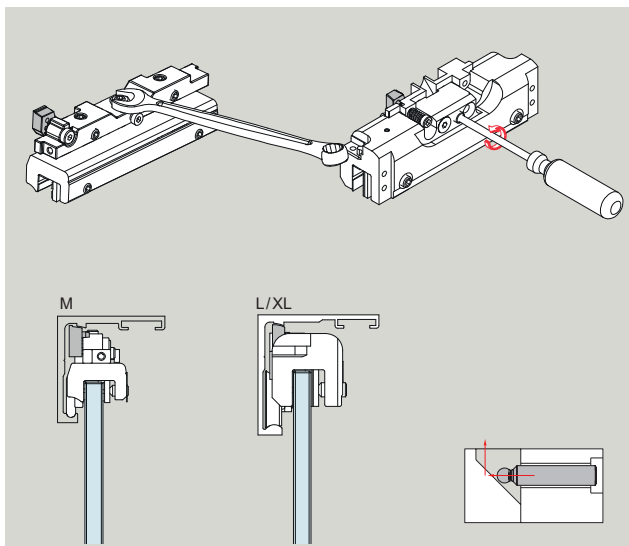
Cover profile



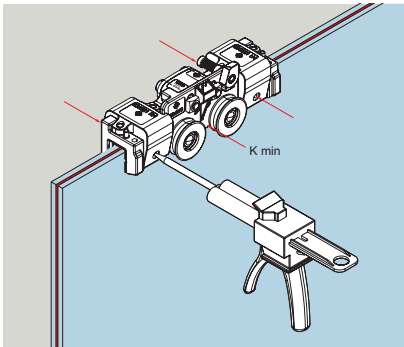
Anti-jump device – carriers: MUTO Comfort M, L, Premium XL, Self-Closing and Telescopic



Height adjustment – carriers: MUTO Comfort M, L, Premium XL, Self-Closing and Telescopic



Clamp&Glue technology



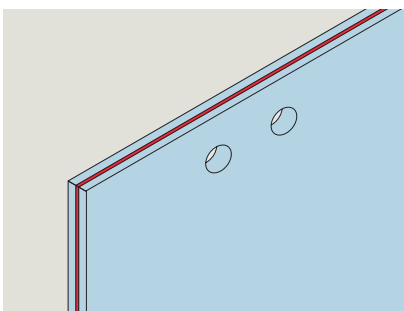
DORMA-GLAS Clamp&Glue technology provides the possibility to keep the advantages and – at the same time – to eliminate the potential issues of laminated safety glass.

The solution for secure hold of the glass panel only needs a minimum of clamping force at the fittings, without any glass preparation.

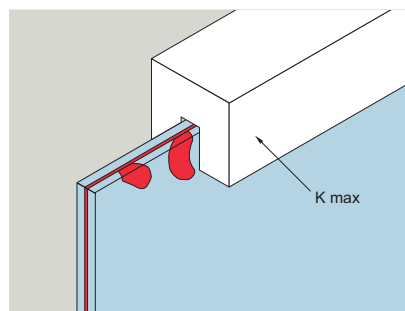
- Carrier sets readily convertible to LSG – make sure you specifically order LSG accessory sets
- High level of safety
- Easy installation
- Improved smoothness of operation
- Decorative laminates
- Residual load-bearing capacity

MUTO: the following negative phenomena are eliminated with LSG

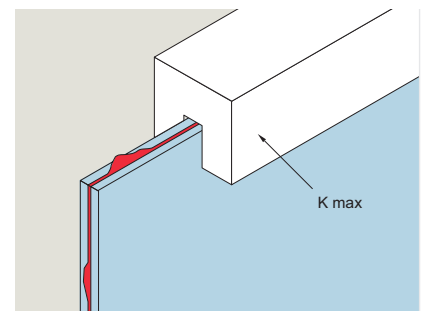
Glass preparation



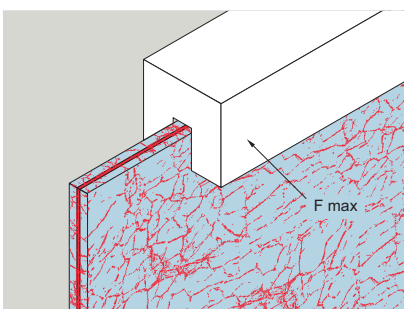
Blister



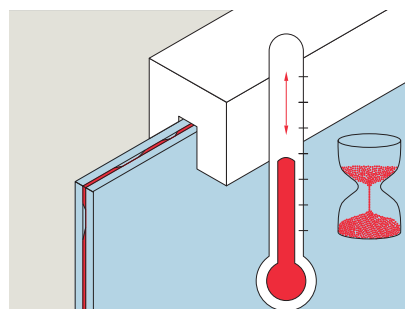
Extrusion of interlayer



Glass crack



Shrinkage of interlayer (due to temperature and pressure variation in long-term usage)



MUTO Comfort M 60 2.0

Ideal for glass panels –
also optional for timber panels

Much Comfort:

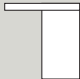
- Self-Closing (self-closing)
- Integrated locking DORMOTION (damping mechanism)
-

• Variants

- Self-Closing
- Telescopic – wide openings with small panels
- Synchro – moving both panels of a double door synchronously

either toward each other (closing)
or from each other (opening) when
just one panel is moved by hand.

- Wall, glass and ceiling installations possible
- For panels ≤ 60 kg up to 150 kg

| | |
|--|---|
| |  MUTO Comfort M 60 2.0 |
| Comfort | |
| Track dimensions: Track incl. Side panel | W = 80 |
| Track dimensions: Track + Cover profile | W ≤ 61 H ≤ 58 |
| Basic description | |
| Max. gap to wall (glass door) | 15 |
| Max. gap to wall (timber door, thickness ≤ 30) | 7 |
| Glass thickness | 8 – 12 |
| Installations | Wall, ceiling |
| Max. door height | ≤ 2500 |
| Max. door width | 1300 |
| Door height adjustment | + 4 / – 2 |
| Corrosion EN 1670 | Class 2 |
| Door cycles | ≤ 50,000 |
| DIN EN 1527 | ● |
| Max. door weight/single door | 60 kg |
| Max. door weight/double door | – |
| Prepared for timber | ● |
| Glass type | TSG / LSG* |
| Functionalities | |
| Adjustable from the front | ● |
| DORMOTION | No glass preparation |
| Synchro version | – |
| Status indicator | – |
| Concealed EM locking | – |
| Self-Closing | – |

 1 door panel

● yes – no ○ optional

* LSG from 2 x TSG (min. 2 x 5 mm).

MUTO Comfort M 60 2.0

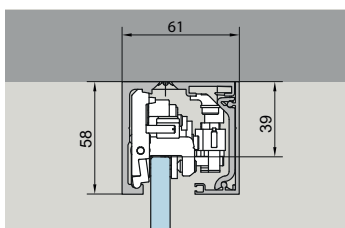
Explanation of product names

Profile dimensions

M = 61 x 58

Max. door weight

60 kg



| | MUTO Comfort M 60 2.0 |
|--|--|
| DORMOTION | Optional |
| max. Sliding panel weight | 60 kg |
| Movement cycles | ≥ 50,000 |
| Glass thickness sliding panel | 8 – 12 |
| Height adjustment | + 4 / – 2 |
| Material thickness (Timber) | 28 – 50 |
| max. Sliding panel height [GH][TH] | 2500 |
| Mounting type | Wall, ceiling |
| Single panel | |
| Clear opening width [LW] min. – max. | 540 – 1240 |
| Panel width [A] | LW + 60 |
| Panel width [A] min. – max. (incl. DORMOTION / with retrofittable lock/status indicator) | 600 – 1300 ²⁾ no lock/ status indicator |
| Length of track wall/ceiling | 2 x A |
| Length of track [B] at glass | – |
| Double panel | |
| Clear width [LW] min. – max. | – |
| Panel width [A] | – |
| Panel width [A] min. – max. | – |
| Length of track [B] wall/ceiling | – |
| Length of track [B] at glass | – |

¹⁾ After consultation of our Application Engineering Department: lower panel dimensions incl. DORMOTION are possible.
More under "Tips and Tricks" on page 184

²⁾ After consultation with our application technology department: smaller panel dimensions possible (with DORMOTION 450 mm, without DORMOTION 400 mm)

Aluminium, mill finish and anodized

Silver look

150 AL anodized, Silver, satin, matte (compatible with finish 114)

Stainless Steel look

157 AL anodized, similar stainless steel, satin

Specials

199 AL anodized, special

Aluminium, powder coated

Black

304 AL powder coated, Jet black, smooth, matte (sim. RAL 9005)

White

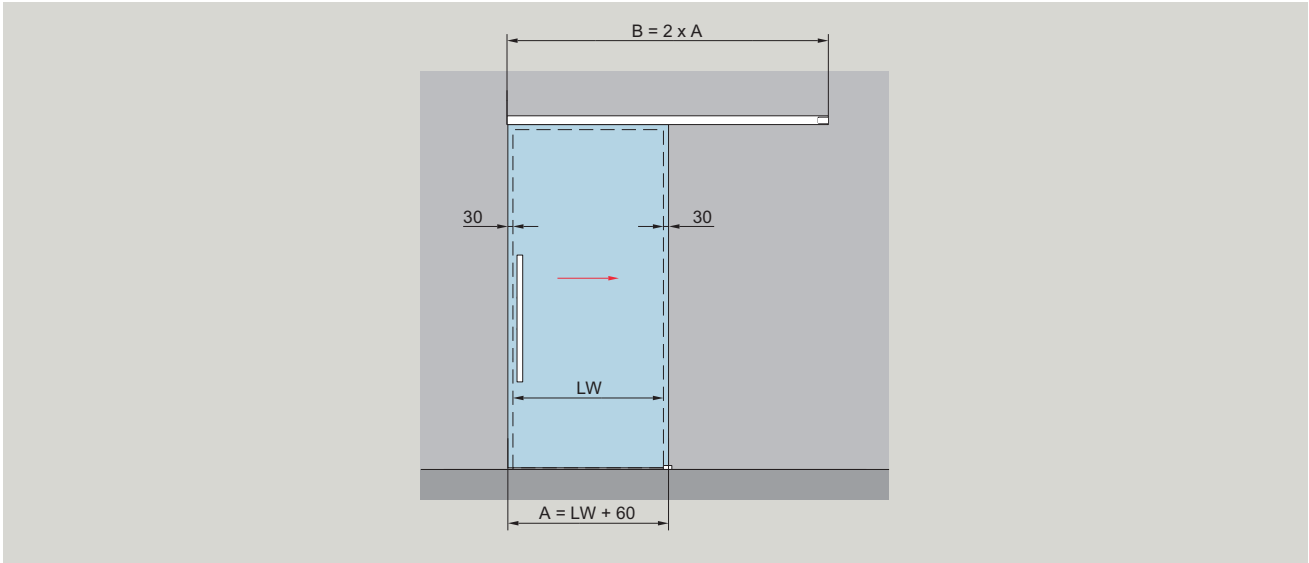
350 AL powder coated, Traffic white, smooth, semi gloss (sim. RAL 9016)

Specials

AL powder coated, Special color

399 (Standard powder according to the corresponding overview on our website. A price surcharge is possible for special colors outside the color range specified there.)

Type illustrations wall installation

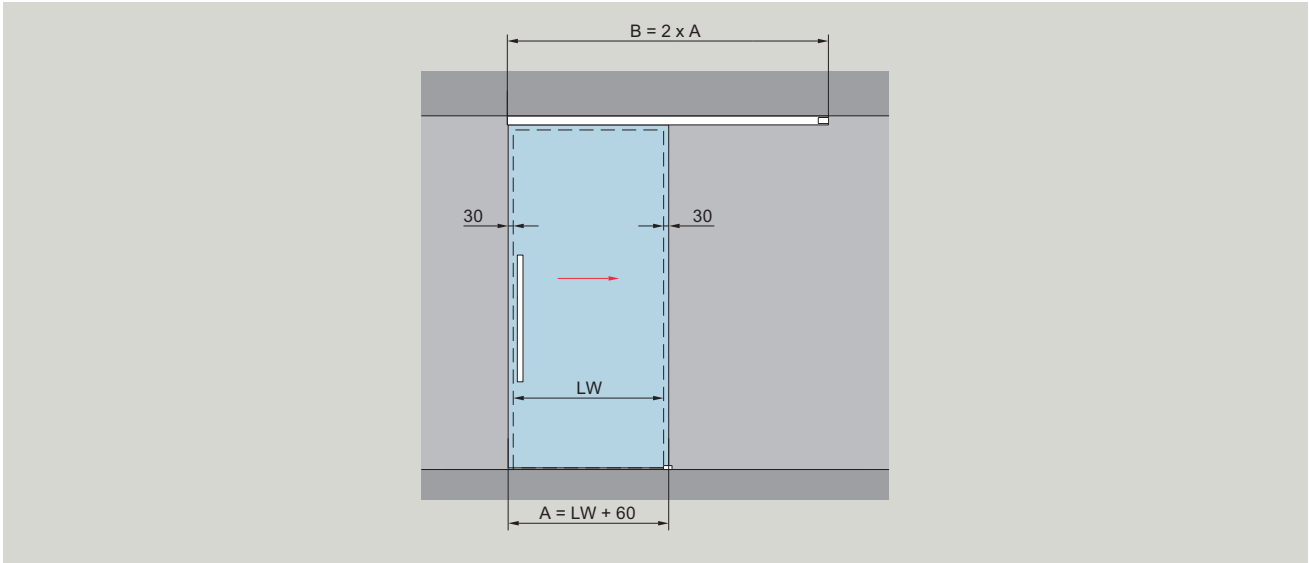


| Fixed at wall | Product description | Glass thickness |
|---------------|---|-----------------|
| | <p>For installation with one door panel</p> <p>Max. weight of door panels 60 kg</p> <p>Calculation of glass height GH1 = LH + X + 9 mm max. 2500 mm</p> <p>Calculation of glass width A = LW + 60 mm min. 600 mm (after consultation with our application technology department: smaller panel dimensions possible (with DORMOTION 450 mm, without DORMOTION 400 mm)) max. 1300 mm</p> | 8 – 12 |

- A = Glass width
- B = Length of track
- GH1 = Glass height sliding door
- LH = Clear opening height
- LW = Clear opening width

- t1 = Glass thickness sliding door
- Y = 55 mm – (14 mm + t1)
- X = Freely selectable protrusion (depending on structural conditions)

Type illustrations ceiling installation

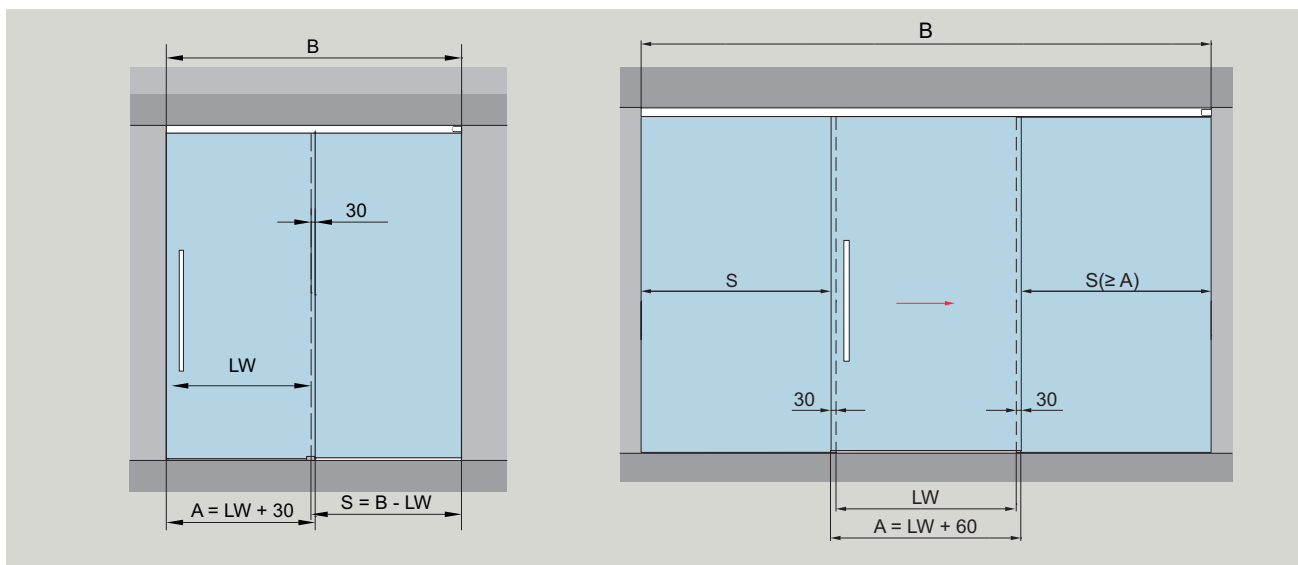


| Fixed at ceiling | Product description | Glass thickness |
|------------------|---|-----------------|
| | <p>For installation with one door panel</p> <p>Max. weight of door panels 60 kg</p> <p>Calculation of glass height GH1 = H - 49 mm max. 2500 mm</p> <p>Calculation of glass width A = LW + 60 mm min. 600 mm (after consultation with our application technology department: smaller panel dimensions possible (with DORMOTION 450 mm, without DORMOTION 400 mm)) max. 1300 mm</p> | 8 - 12 |

- A = Glass width
- B = Length of track
- GH1 = Glass height sliding door
- LH = Clear opening height

- LW = Clear opening width
- t1 = Glass thickness sliding door
- Y = 55 mm - (14 mm + t1)

Type illustrations with side panel

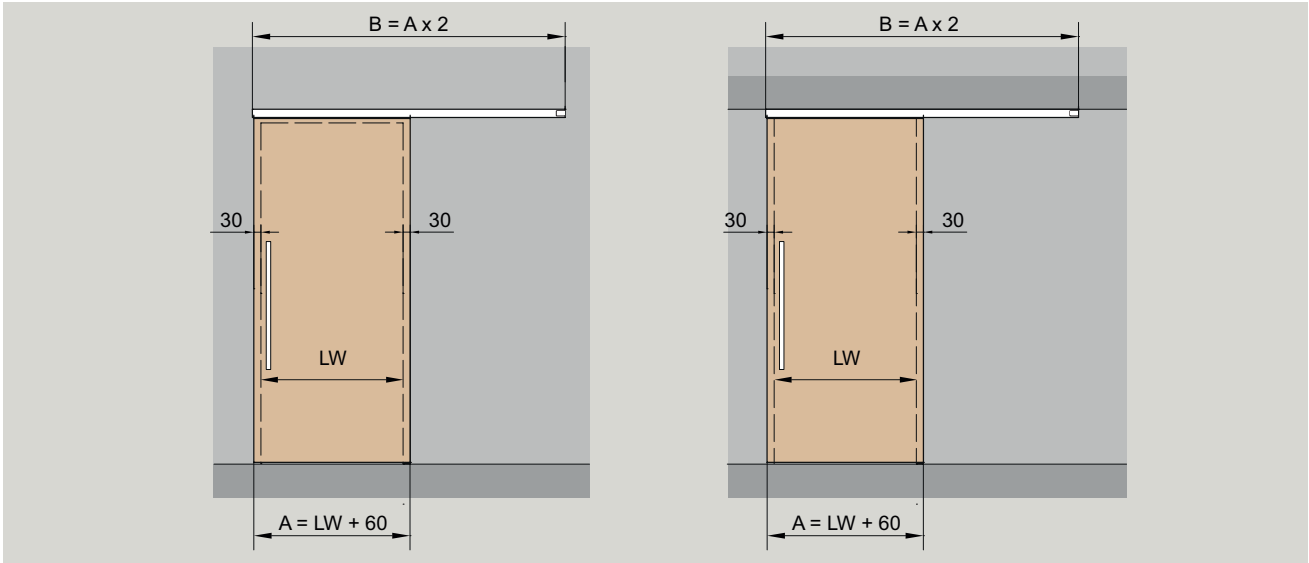


| Fixed at ceiling | Product description | Glass thickness |
|------------------|---|-----------------|
| | <p>For installation with one door panel</p> <p>Max. weight of door panels 60 kg</p> <p>Calculation of glass height GH1 = LH - 49 GH2 = LH - 51 max. 2500 mm</p> <p>Calculation of glass width A = LW + 30 mm min. 600 mm (after consultation with our application technology department: smaller panel dimensions possible (with DORMOTION 450 mm, without DORMOTION 400 mm)) max. 1300 mm</p> | 8 – 12 |

- A = Glass width
- B = Length of track
- GH1 = Glass height sliding door
- GH2 = Glass height sidelight
- LH = Clear opening height
- LW = Clear opening width

- S = Glass width sidelight
- t1 = Glass thickness sliding door
- t2 = Glass thickness sidelight
- Y = 55 mm - (14 mm + t1)

Type illustrations for timber door applications

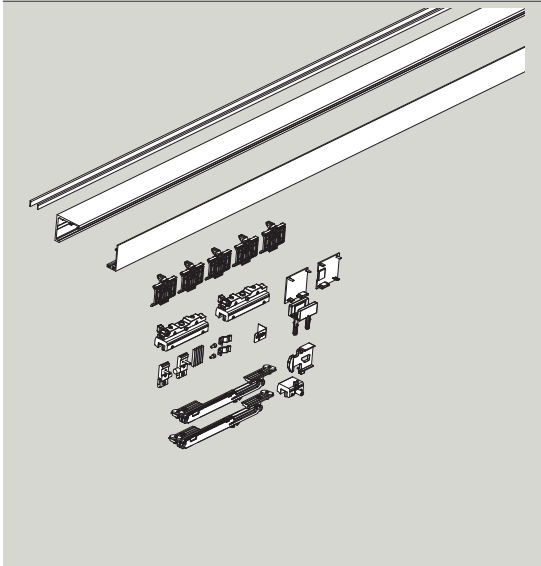


| Fixed at wall | Fixed at ceiling | Product description | Wood thickness |
|--|------------------|---|----------------|
| | | For installation with one door panel | 28 – 50 |
| | | Max. weight of door panels 60 kg | |
| | | Calculation of door height fixed at wall $TH = LH + X - 16$ max. 2500 mm | |
| | | Calculation of door height fixed at ceiling $TH = LH - 74$ max. 2500 mm | |
| | | Calculation of door width $A = LW + 60$ mm min. 600 mm (after consultation with our application technology department: smaller panel dimensions possible (with DORMOTION 450 mm, without DORMOTION 400 mm)) max. 1300 mm | |
| * Timber door 100 mm solid wood for connection at timber adapter | | | |

A = Timber door width
 B = Length of track
 LH = Clear opening height
 LW = Clear opening width

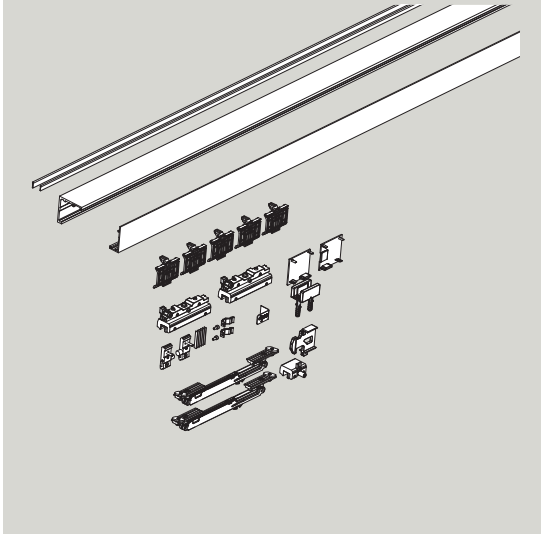
TH = Door height
 U = Wood thickness
 X = Freely selectable protrusion (depending on structural conditions)

Complete sets - defined lengths

| | Product description | Panel width | Profile length | Glass thickness | Art. No. |
|---|---|-------------|----------------|-----------------|---------------|
|  | DORMOTION MUTO unit Comfort M 60 2.0 Complete set Angled track, cover profile, accessory set, end covers max. 60 kg | | | | |
| | prepared for DORMOTION | | | | |
| | wall mounting | 950 | 1900 | 8 – 12 | 37.000 |
| | | 1200 | 2400 | 8 – 12 | 37.001 |
| | ceiling mounting | 950 | 1900 | 8 – 12 | 37.002 |
| | | 1200 | 2400 | 8 – 12 | 37.003 |
| | incl. DORMOTION* | | | | |
| | wall mounting | 950 | 1900 | 8 – 12 | 37.676 |
| | | 1200 | 2400 | 8 – 12 | 37.007 |
| | ceiling mounting | 950 | 1900 | 8 – 12 | 37.008 |
| | 1200 | 2400 | 8 – 12 | 37.009 | |

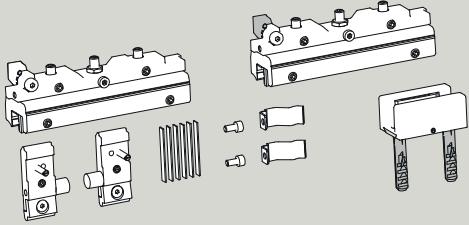
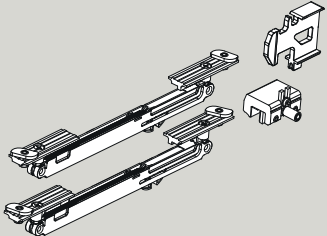
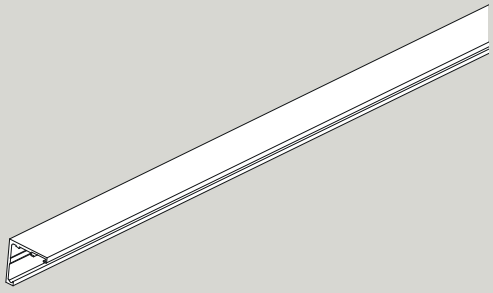
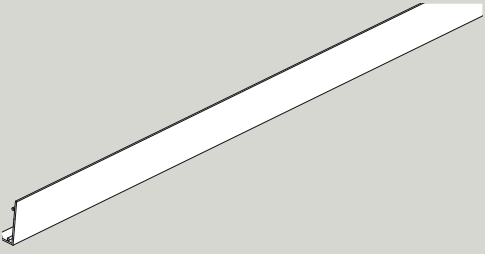
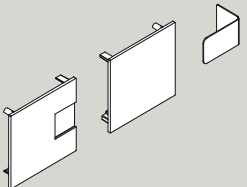
*When using a DORMOTION damping unit, we recommend installation of a pull handle.

Complete sets - individual lengths

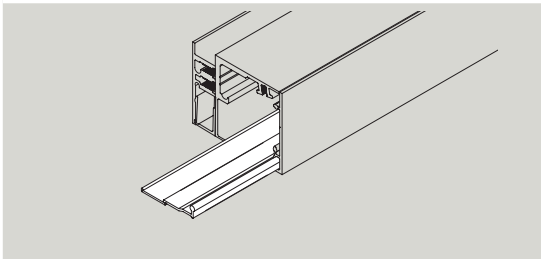
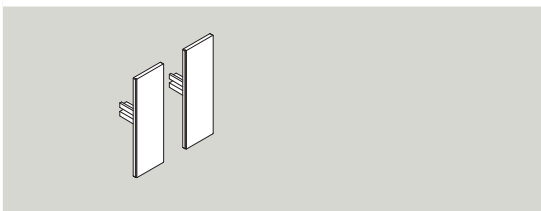
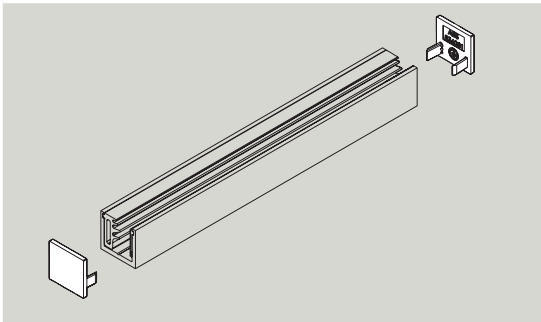
| | Product description | Glass thickness | Art. No. |
|---|--|-----------------|---------------|
|  | MUTO Comfort M 60 complete set 2.0 | | |
| | Individual profile length up to max. 5940 mm incl. track, cover profile, accessory set, end covers | | |
| | prepared for DORMOTION | | |
| | Wall mounting | 8 - 12 | 37.004 |
| | Ceiling installation | 8 - 12 | 37.005 |
| | Ceiling installation with side panel incl. cover profile, side panel profile and infill profile | 8 - 12 | 37.012 |
| | incl. DORMOTION* | | |
| Wall mounting | 8 - 12 | 37.010 | |
| Ceiling installation | 8 - 12 | 37.011 | |
| Ceiling installation with side panel incl. cover side panel profile and infill profile | 8 - 12 | 37.013 | |

*When using a DORMOTION damping unit, we recommend installation of a pull handle.

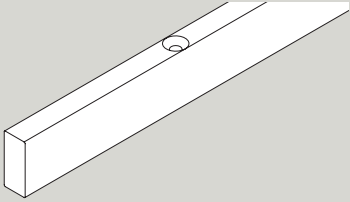
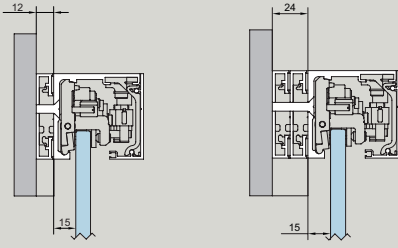
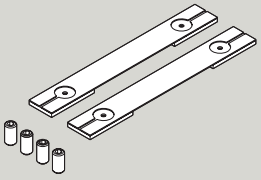
Component parts

| | Product description | Art. No. |
|---|---|---|
|  | <p>Accessory set Consisting of: 2 Clamp carriers 2 Endstops 1 Floor guide</p> | <p>37.020</p> |
|  | <p>DORMOTION unit Panel width min. 450 mm for max. 60 kg, incl. starter</p> <p>When using a DORMOTION damping unit, we recommend installation of a pull handle.</p> | <p>37.022 Optional</p> |
|  | <p>Track Wall mounting Stock length 6000 mm Fixed length</p> <p>Track Ceiling mounting Stock length 6000 mm Fixed length</p> | <p>37.014 37.017</p> <p>37.015 37.018</p> |
|  | <p>Cover profile stock length 6000 mm fixed length</p> | <p>37.016 37.025</p> |
|  | <p>MUTO Comfort M 60 2.0 Set endcaps for wall and ceiling installation</p> | <p>37.021</p> |

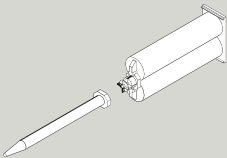
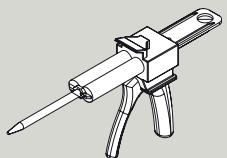
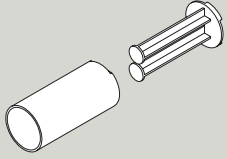
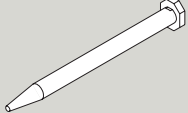
Component parts

| | Product description | Glass thickness | Art. No. |
|---|--|-----------------|--------------------------------|
|  | MUTO Comfort M 60 2.0 + L 80 Side light profile 58 mm height, with gaskets, for 8 – 13.5 mm glass When installing between two walls, please give particular atten- tion to the width of the end covers (each 2 mm). stock length 6000 mm fixed length | | 36.271 36.274 |
|  | MUTO View protection profile for Comfort M, L, Premium XL and Premium Self-Closing for track rail (e.g. when using a fixed part on handle / closing side) stock length 6000 mm fixed length | | 36.694 36.695 |
|  | MUTO Filling profile for Comfort M, L, Premium XL and Self-Closing, for side light profile stock length 6000 mm fixed length | | 36.802 36.803 |
|  | MUTO Comfort M 60 2.0 + L 80 End caps for side light profile, 58 mm height each 2 mm width (When installing between two walls, please give particular attention to it.) | | 36.273 |
|  | MUTO End caps (2 pieces) for floor profile | | 36.812 |
|  | MUTO Floor profile for fixing side light, with gaskets, incl. end caps stock length 6000 mm fixed length | 8 – 13.5 | 36.810 36.811 |

Component parts

| | Product description | Art. No. |
|--|---|--|
|  | <p>MUTO Comfort M 60 2.0 Timber adapter profile 10 x 23 mm, incl. accessories (with timber floor guide) fixed length</p> <p>Please indicate the wooden door leaf width when ordering!</p> | <p>37.036</p> |
|  | <p>MUTO Comfort - frame relining set for installation above an existing frame, for bridging the frame thickness, fixed length</p> <p>incl. 2 end caps, 12 mm incl. 4 end caps, 24 mm</p> | <p>36.872 36.873</p> |
|  | <p>MUTO Comfort M 60 2.0 LSG set Accessory set for use with LSG for one pair of clamp carrier</p> <p>Consisting of: 2 Gaskets 4 Injector screw</p> <p>Please order the LSG glue 07.631 separately</p> | <p>36.939</p> |

Component parts

| | Product description | Art. No. |
|--|--|----------------------|
|  | <p>Special adhesive for use with LSG The contents of the cartridge are sufficient for 10 clamp carriers (varies if the nozzle contents have dried out!) If necessary, order additional spare nozzles (art. no. 07.630).</p> | <p>07.631</p> |
|  | <p>Automix gun for LSG Use in combination with article 07.631</p> | <p>07.629</p> |
|  | <p>Automix adapter for LSG Use in combination with article 07.631 (for use with a commercially available silicone syringe)</p> | <p>07.628</p> |
|  | <p>Spare nozzle for LSG Use in combination with article 07.631</p> | <p>07.630</p> |

Safety-related information

Important safety-related information for the mounting and use of DORMA-Glas glass fittings.

(Follow these instructions in addition to the mounting and operating instructions in order to avoid damage of product and damage to person or property.)

Important: All users have to be informed about relevant points mentioned in these safety-related information and the mounting and operating instructions!

General information

1. DORMA-Glas recommends the use of TSG-H (heat-stored tempered safety glass) according to DIN EN 12150-1.
2. DORMA-Glas glass fittings are not suitable for outdoor installation.
3. DORMA-Glas glass fittings are not suitable for rooms where chemicals (e.g. chlorine) are used, e.g. swimming pools, saunas and brine baths.



4. Sliding panels must not be moved faster than at walking speed and must be stopped by hand before reaching the end position will be.
5. Pivoting panels must not be thrown too hard. If there is a risk of over-turning, this must be prevented by a door stop.

Mounting

1. Only properly qualified and specially trained staff is authorised to mount DORMA-Glas glass fittings.
2. Never use glass with conchoidal fractures and/or damaged edges.
3. Due to crushing hazards – among others in the area of the secondary closing edge – and possible injury caused by breakage of glass during mounting, corresponding protective clothing (especially gloves and protective goggles) is required.
4. Clean clamping area with fat solvent (standard commercial cleaning agent) before mounting the glass fitting.
5. Never use clamping shoes on structured glass surfaces (except on satined glass) or glass of heavily varying thickness unless with a corresponding levelling layer.
6. Never use clamping shoes on self-cleaning coatings.
7. When adjusting glass elements, always stick to the required clearance for the respective fitting. Adjust clearance so that the glass does not touch hard components such as glass, metal or concrete.
8. Make sure not to use excessive force when installing the glass (avoid local stress resulting from very tight screws).

Maintenance

Check fittings at regular intervals for proper positioning and smooth running and door for correct adjustment. Especially highly-frequented door systems require inspection by properly qualified staff (specialised companies or installation firms). Immediately replace damaged glass elements (no glass flaking and/or conchoidal fractures)!

General care instructions

The surface finishes of the fittings are not maintenance-free and should be cleaned according to their material and design.

- For metallic surfaces (anodised finishes, stainless steel) please use appropriate cleaning agents without abrasive additives only.
- For varnished surfaces please use appropriate solvent-free cleaning agents only.
- Brass surfaces (without surface protection) have to be treated with an appropriate maintenance agent on occasion, to avoid tarnishing.

For practical planning, please use our drawings DORMA-Glas "The Detail".

The printed colours indicating the surface finishes are not 100 % true, but do provide a useful guide. Statements made with regard to the nature or use of the products are for the purposes of descriptions. Assent with regard to the existence of particular properties or particular uses always requires special written agreement. Pictures may show special designs which are different to the standard scope of delivery.

Subject to change without notice.

Space for your notes



Moving Details.



DORMA-Glas GmbH
Max-Planck-Straße 33-45
D - 32107 Bad Salzufen

T +49 5222 924-0

info@dorma-glas.com
www.dorma-glas.com

 [DORMA-Glas GmbH](#)
 [DORMA-Glas GmbH](#)



Issue 04/24
Subject to change without notice